

Country of Origin : China

Efficiency level (ErP) : VI



**GREEN MODE**      **RoHS**



**Specifications**

Model	Voltage DC [V]	Loading [A]	Max. Power [W]	Connector [mm]
SYM1008-1105-W2E	5	0~2.1	11	2.1x5.5x11
SYM1008-1505-W2E	5	0~3.0	15	2.1x5.5x11
SYM1008-2305-W2E	5	0~4.6	23	2.1x5.5x11
SYM1008-1507-W2E	7	0~2.0	15	2.1x5.5x11
SYM1008-1809-W2E	9	0~2.0	18	2.1x5.5x11
SYM1008-2412-W2E	12	0~2.0	24	2.1x5.5x11
SYM1008-2418-W2E	18	0~1.33	24	2.1x5.5x11
SYM1008-2419-W2E	19	0~1.25	24	2.1x5.5x11
SYM1008-2420-W2E	20	0~1.2	24	2.1x5.5x11
SYM1008-2424-W2E	24	0~1.0	24	2.1x5.5x11
SYM1008-2307-W2E	7.5	0~3	22.5	2.1x5.5x11
SYM1008-2709-W2E	9	0~3	27	2.1x5.5x11
SYM1008-3612-W2E	12	0~3	36	2.1x5.5x11
SYM1008-3618-W2E	18	0~2	36	2.1x5.5x11
SYM1008-3619-W2E	19	0~1.89	36	2.1x5.5x11
SYM1008-3620-W2E	20	0~1.8	36	2.1x5.5x11
SYM1008-3624-W2E	24	0~1.5	36	2.1x5.5x11

**Features:**

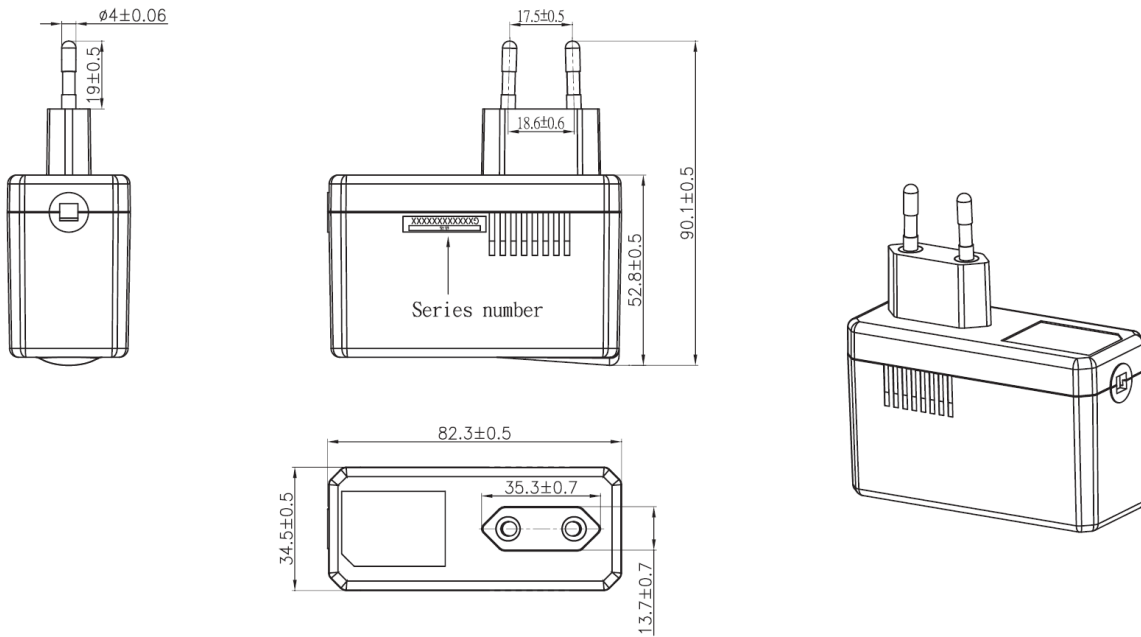
For Medical Products | Enclosure | STB | Industrial equipment | 2 Years Warranty

Certified plugs: W2E - Europe | W2 - USA, Canada, Japan, Taiwan

Output connector: standard: 2.1 x 5.5 x 11mm or customer requirement | Regulated Output With Low Ripple Noise | Private Label Marking Available | Modified and Custom Design Available

INPUT   OUTPUT	Voltage	90-264VAC
	Current	1.0A rms max   At AC low line input and DC output full load
	Inrush Current	60A max   At cold start, ambient temperature 25°C nominal AC input 115VAC/230VAC
	Power consumption	0.1W rms max   At AC nominal input@output no load
	Efficiency	Meet ERP level VI
	Hold up time	5mS min   At AC nominal input @ output full load
	Turn delay	3000mS max.   3S max on the condition that input voltage 230V, full load
	Ripple noise	200mV
	Burn-in	2 Hour Full Load
PROTECTION	Over current Short protection	Fold back
	Over Voltage	The power supply shall be self-recovering when the fault condition is removed
	Input protection	2.0A/250V Fuse
	Protection class	Class II
SAFETY	CE EMC	2014/30/EU
	CE LVD	2014/35/EU IEC 60601-1
	Safety approvals	TUV/GS   CE   CB
	Dielectric Strength (Hi-pot)	IEC 320 2pin primary to secondary 4000Vdc 10mA 1min
	Leakage current	0.1 mA max.
ENVIRONMENTAL	Temperature	Operating: 0~40°C / Storage: -20~60°C
	Humidity	Operating: 10%~90%RH / Storage: 5%~95% RH non condensing
	Cooling	Natural Convection Cooling
OTHER	MTBF	MTBF shall be least 50,000 hours at 25°C (MIL-HDBK-217F)
	Weight	135g
	Dimension	83x34x51 mm
	Packing	80 pcs   1 box

**Mechanical case specification:**



**Cable specification:**

