

Country of Origin : China
Efficiency level (ErP) : VI



GREEN MODE **RoHS**



Specifications

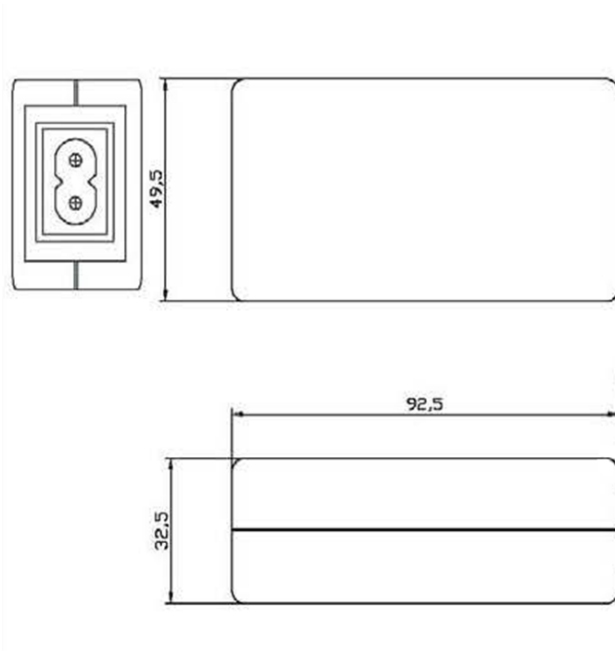
Model	Voltage DC [V]	Loading [A]	Max. Power [W]	Ripple / Noise [mV] p-p	Connector [mm]
SYS1001-0703-T2	3,3	0~2.2	7.26	120	2.1x5.5x11
SYS1001-1105-T2	5	0~2.1	10	120	2.1x5.5x11
SYS1001-1108-T2	7,5	0~1.6	11	120	2.1x5.5x11
SYS1001-0909-T2	9	0~1.33	9	120	2.1x5.5x11
SYS1001-1212-T2	12	0~1.0	12	200	2.1x5.5x11
SYS1001-1215-T2	15	0~0.8	12	200	2.1x5.5x11
SYS1001-1218-T2	18	0~0.66	12	240	2.1x5.5x11
SYS1001-1224-T2	24	0~0.5	12	240	2.1x5.5x11

Features:

Available in inlet version: C7 (T2)
Output connector: standard: 2.1 x 5.5 x 11mm or customer requirement | Regulated Output With Low Ripple Noise | Safety Agency Requirements and EMI/EMS Certified
Private Label Marking Available | Modified and Custom Design Available | 2 Years Warranty

INPUT OUTPUT	Voltage	90-264VAC
	Current	0.5A max At 100VAC & 240VAC@full load
	Inrush Current	40/60A max At cold start, ambient temperature 25°C nominal AC input 100VAC/240VAC
	Power consumption	0.1W max. with output no load at 115VAC/230VAC input
	Efficiency	Meet ERP level VI
	Hold up time	8mS min At AC nomind input @ output full load
	Turn delay	5000mS max. At AC low line input @ output full load.
	Ripple noise	200mV
PROTECTION	Burn-in	220VAC 80% Load (Ref) 2hours & 40°C +/- 5°C
	Over current Short protection	Automatic recovery
	Over Voltage	The power supply shall be self-recovering when the fault condition is removed
	Input protection	The switching adaptor use 0.68-10R fuse.
SAFETY	Protection class	Class II
	CE EMC	2014/30/EU
	CE LVD	2014/35/EU EN 62368
	Safety approvals	cTUVus FCC GS CE CB RCM PSE EAC UKCA
	Dielectric Strength (Hi-pot)	I/P-O/P:3000VAC
ENVIRONMENTAL	Leakage current	0.25 mA max.
	Temperature	Operating: 0~40°C / Storage: -20~50°C
	Humidity	Operating: 20%~80%RH / Storage:5%~95% RH
OTHER	Cooling	The power supply will operate with convection cooling. Blocking of vents must not cause damage to the power supply.
	MTBF	MTBF shall be least 50,000 hours at 25°C (MIL-HDBK-217F)
	Weight	108g
	Dimension	93x50x33 mm
	Packing	50 pcs 1 box

Mechanical case specification:



Cable specification:

2468# 24AWG / 4.5FT (1370mm)

