

Country of Origin : China

Efficiency level (ErP) : VI

GREEN MODE **RoHS**



Specifications

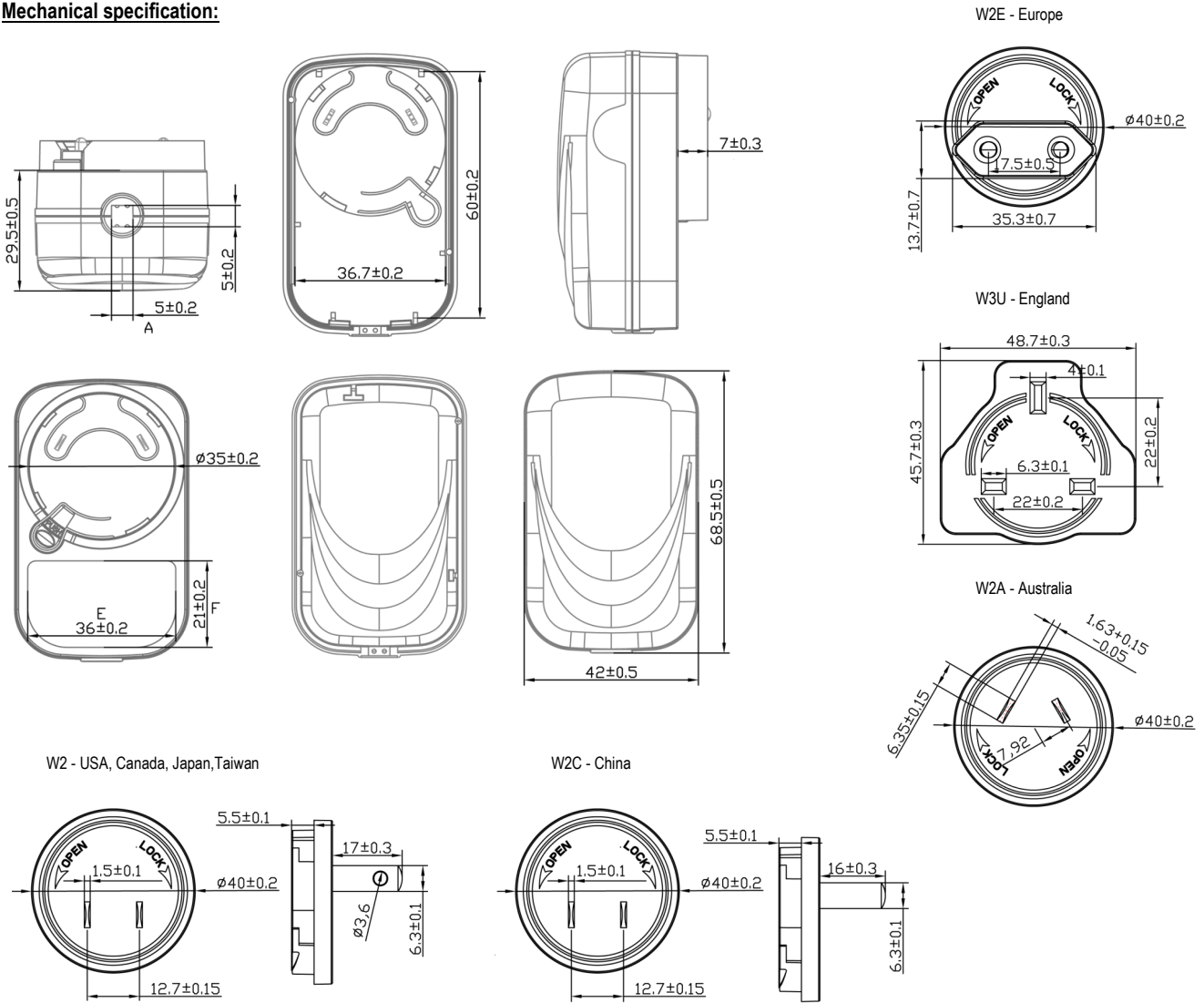
| Basic Models | Voltage DC [4.0V~24V] | Loading [A] | Max. Power [W] | Ripple / Noise [mV] p-p | Connector [mm] |
|-------------------|-----------------------|-------------|----------------|-------------------------|----------------|
| SYS1121-0909-Wxx | 9 | 0~1.0 | 9 | 200 | 2.1x5.5x11 |
| SYS1121-1105-Wxx | 5 | 0~2.2 | 11 | 200 | 2.1x5.5x11 |
| SYS1121-1106-Wxx | 6 | 0~1.83 | 11 | 200 | 2.1x5.5x11 |
| SYS1121-12075-Wxx | 7,5 | 0~1.6 | 12 | 200 | 2.1x5.5x11 |
| SYS1121-1209-Wxx | 9 | 0~1.33 | 12 | 200 | 2.1x5.5x11 |
| SYS1121-1212-Wxx | 12 | 0~1.0 | 12 | 200 | 2.1x5.5x11 |
| SYS1121-1215-Wxx | 15 | 0~0.8 | 12 | 200 | 2.1x5.5x11 |
| SYS1121-1218-Wxx | 18 | 0~0.66 | 12 | 200 | 2.1x5.5x11 |
| SYS1121-1224-Wxx | 24 | 0~0.5 | 12 | 200 | 2.1x5.5x11 |

Features:

Certified changeable plugs Wxx = W2E - Europe | W3U - England | W2 - USA, Canada, Japan, Taiwan | W2A - Australia | W2C - China
For all models, the minimum rising step of output voltage is 0.1V - 4.0V~24V 12W max | Private Label Marking Available | 2 Years Warranty

| | | |
|----------------|-------------------------------|---|
| INPUT OUTPUT | Voltage | 90-264VAC |
| | Current | 0.5A max At 100VAC & 240VAC@full load |
| | Inrush Current | 30/40A max At cold start, ambient temperature 25°C nominal AC input 100VAC/240VAC |
| | Power consumption | 0.1W max. with output no load at 115VAC/230VAC input |
| | Efficiency | Meet ERP level VI |
| | Hold up time | 8mS min At AC nominal input @ output full load |
| | Turn delay | 3000mS max. At AC low line input @ output full load |
| | Ripple noise | 200mV |
| | Burn-in | 220VAC 80% Load (Ref) 4hours & 40°C +/- 5°C |
| PROTECTION | Over current Short protection | Automatic recovery |
| | Over Voltage | The power supply shall be self-recovering when the fault condition is removed |
| | Input protection | The switching adaptor use 0.68/4.7/10 Ω resistance fuse |
| | Protection class | Class II |
| | CE EMC | 2014/30/EU |
| SAFETY | CE LVD | 2014/35/EU EN 62368 |
| | Safety approvals | cUL FCC GS CE CB PSE EAC LVD UKCA CCC |
| | Dielectric Strength (Hi-pot) | AC3000V, 10.0mA, 1 minute for type test |
| ENVIRONMENTAL | Leakage current | 5mA maximum, At nominal AC input voltage and frequency |
| | Temperature | Operating: 0~40°C / Storage: -20~50°C |
| | Humidity | Operating: 0%~90%RH / Storage: 0%~90% RH |
| | Cooling | The power supply will operate with convection cooling. Blocking of vents must not cause damage to the power supply. |
| | MTBF | MTBF shall be least 50,000 hours at 25°C (MIL-HDBK-217F) |
| OTHER | Weight | 61±5 g |
| | Dimension | 68x42x40 mm |
| | Packing | 100 pcs 1 box |

Mechanical specification:



Cable specification:

2468# 24AWG / 4.5FT (1370mm) * model SYS1121-1215 also with round cable UL1185# 24AWG / 4.5FT (1370mm)

